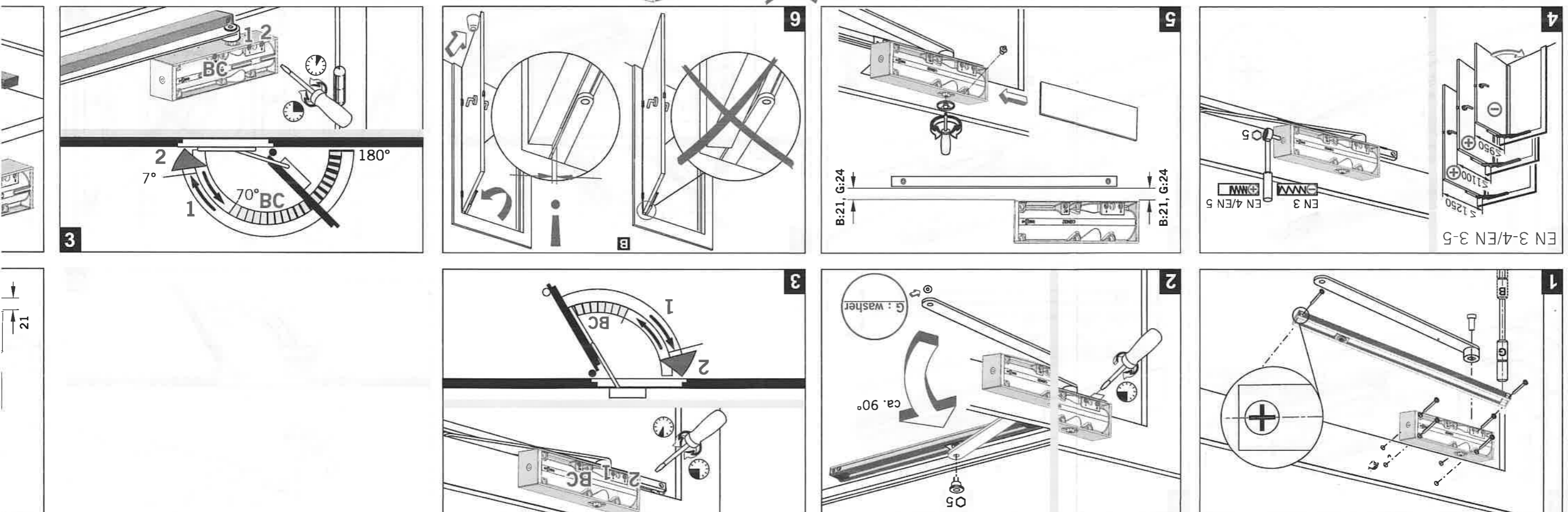
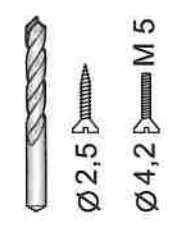
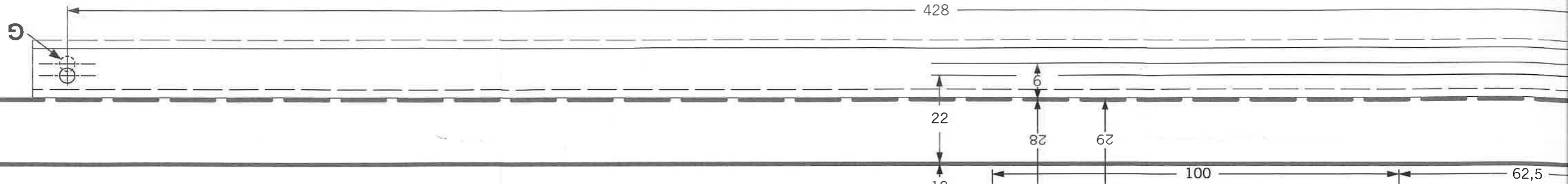


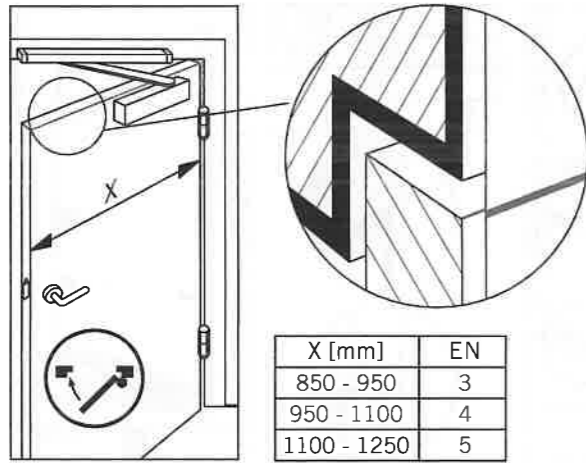
schland GmbH	18
al	
1:2002/AC:2006	4 8 3-4/3-5 1 1 3



TS Match B/G: EN 3-4 BC, EN 3-5 BC

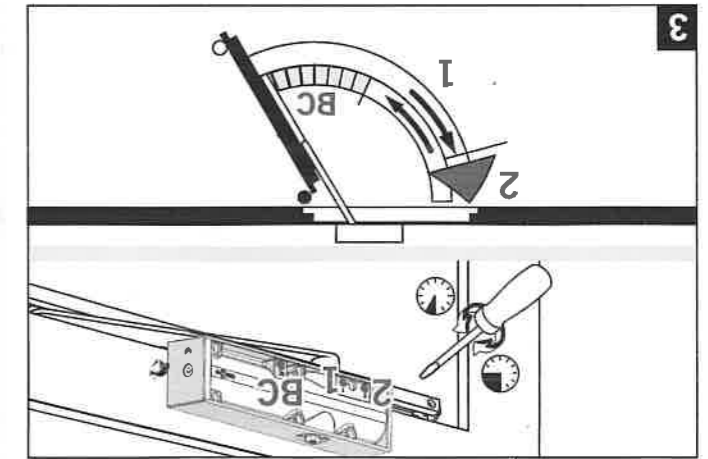
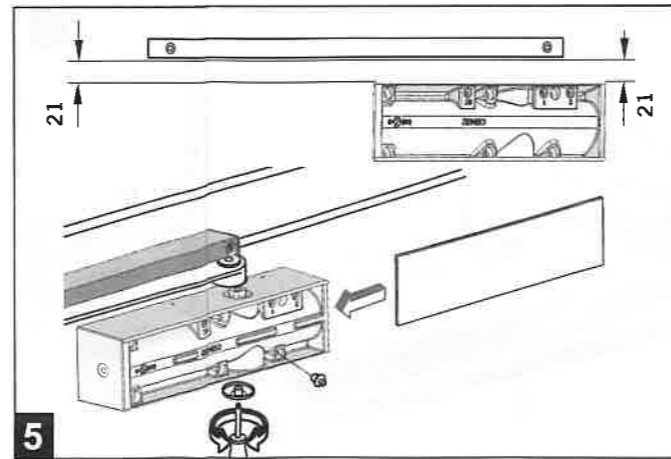
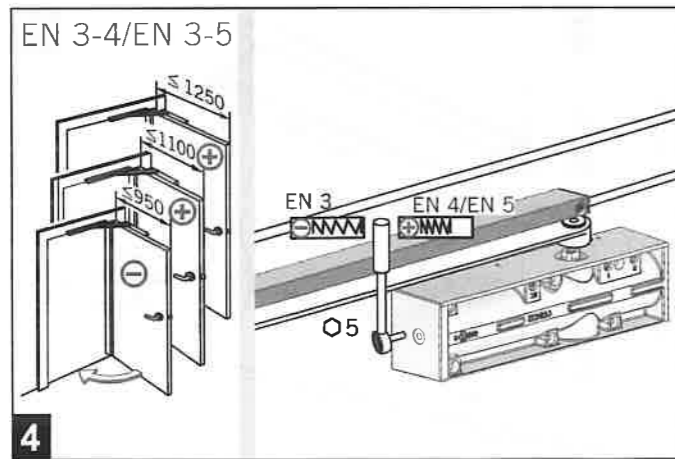
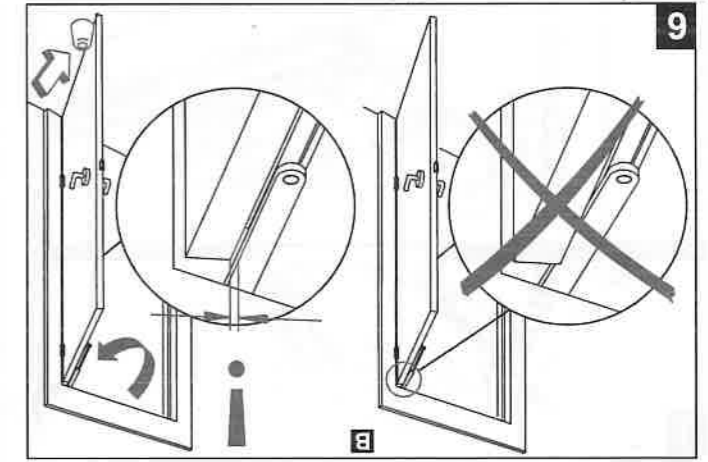
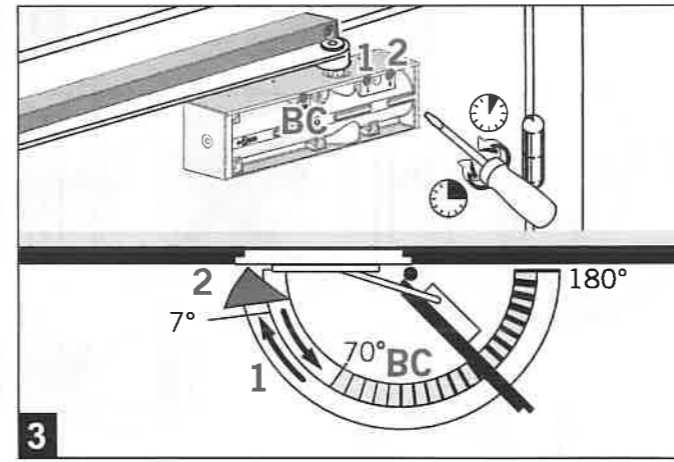
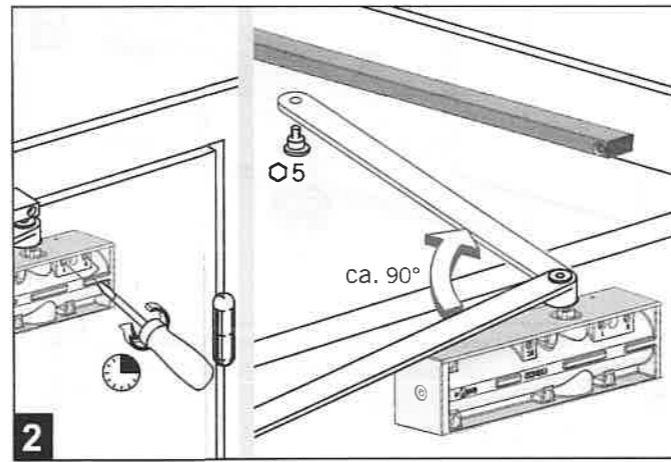
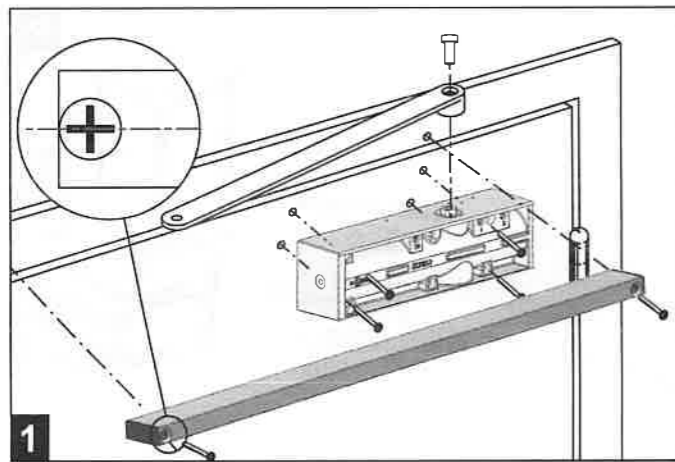
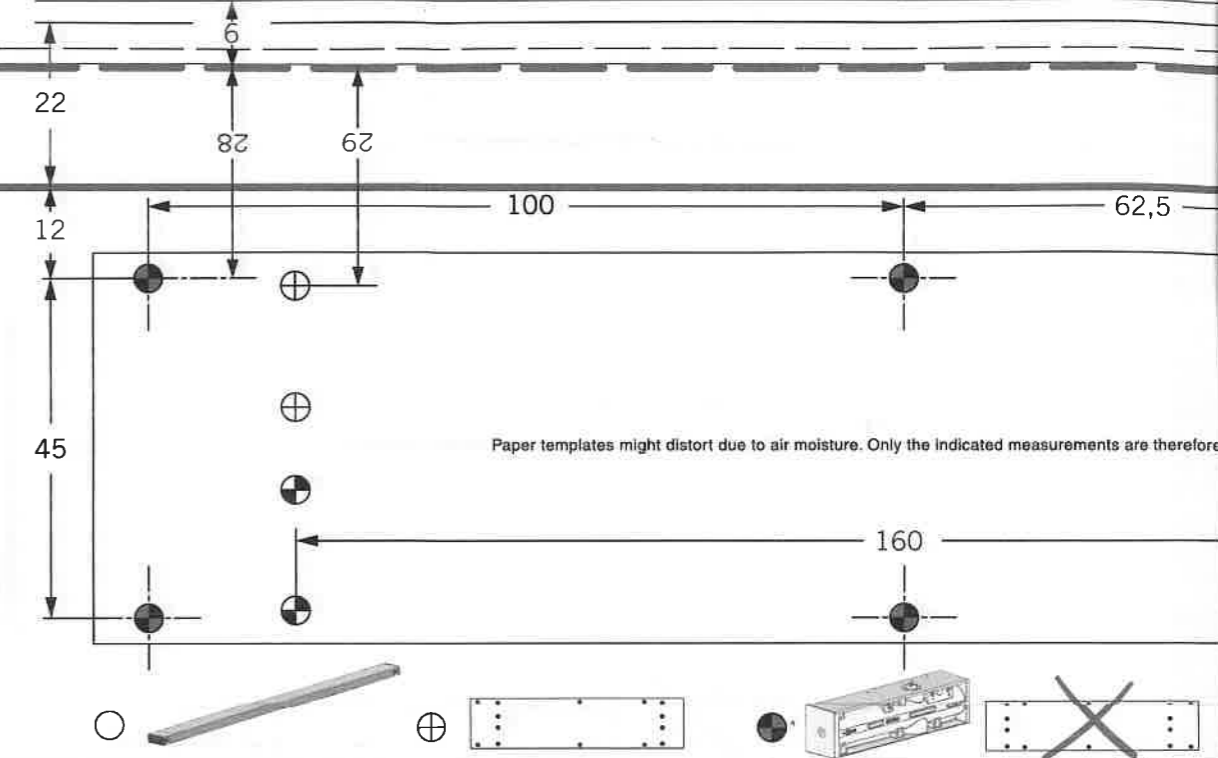
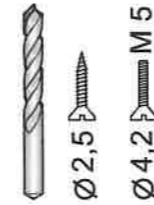


B

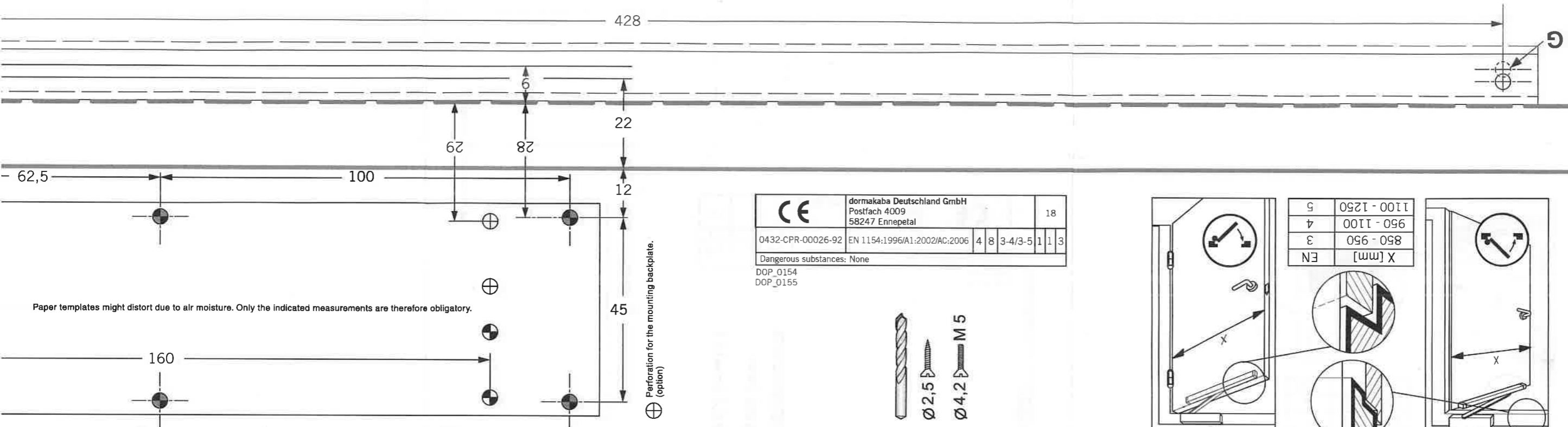


CE	dormakaba Deutschland GmbH Postfach 4009 58247 Ennepetal	18
0432-CPR-00026-92	EN 1154:1996/A1:2002/AC:2006	4 8 3-4/3-5 1 1 3
Dangerous substances: None		
DOP_0154 DOP_0155		

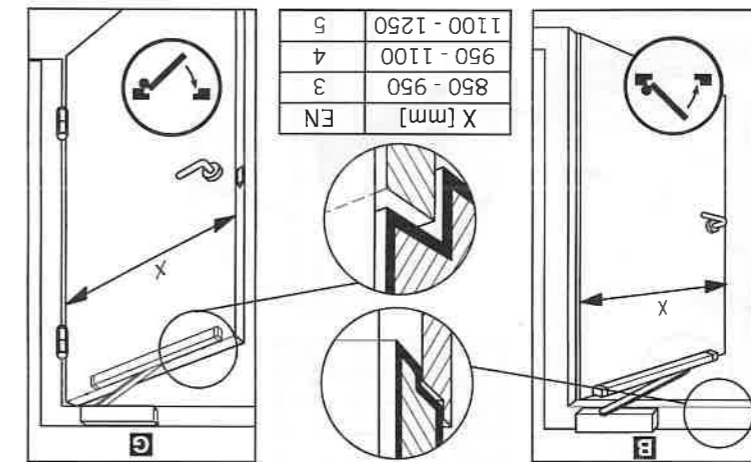
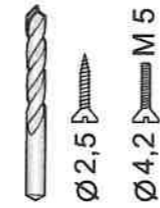
⊕ Perforation for the mounting backplate. (option)



Subject to change without notice



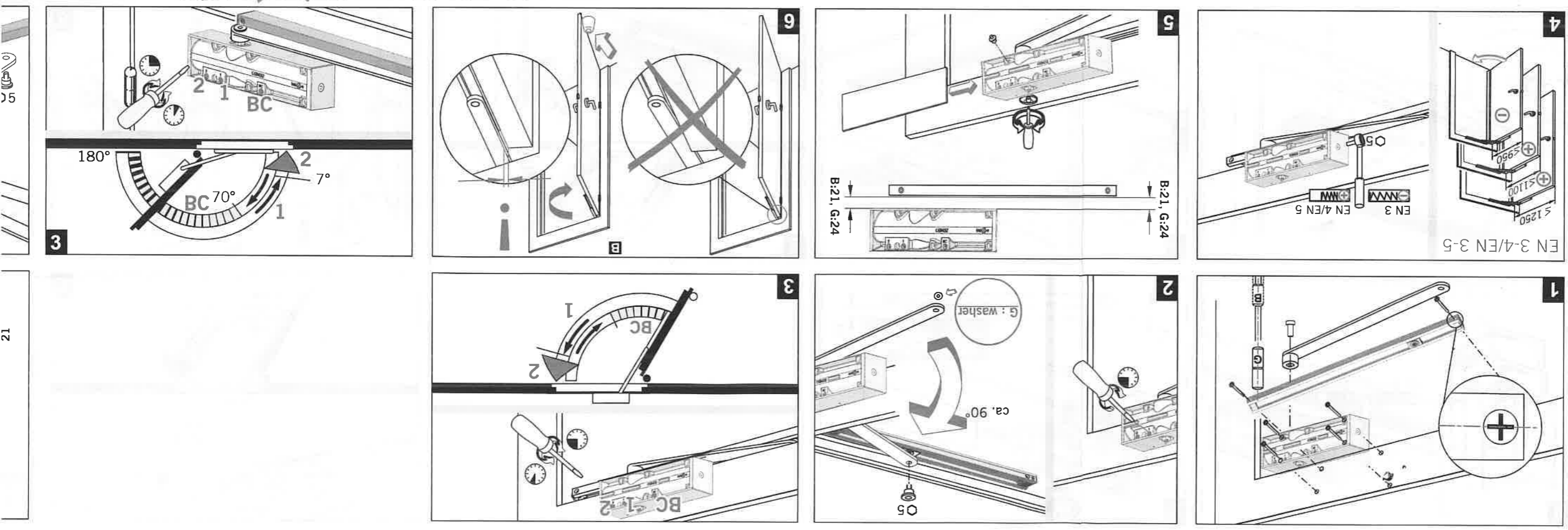
CE	dormakaba Deutschland GmbH Postfach 4009 58247 Ennepetal	18
0432-CPR-00026-92	EN 1154:1996/A1:2002/AC:2006	4 8 3-4/3-5 1 1 3
Dangerous substances: None		
DOP_0154 DOP_0155		



Paper templates might distort due to air moisture. Only the indicated measurements are therefore obligatory.

Perforation for the mounting backplate. (option)

DIN EN1154



TS Match B/G: EN 3-4 BC, EN 3-5 BC

