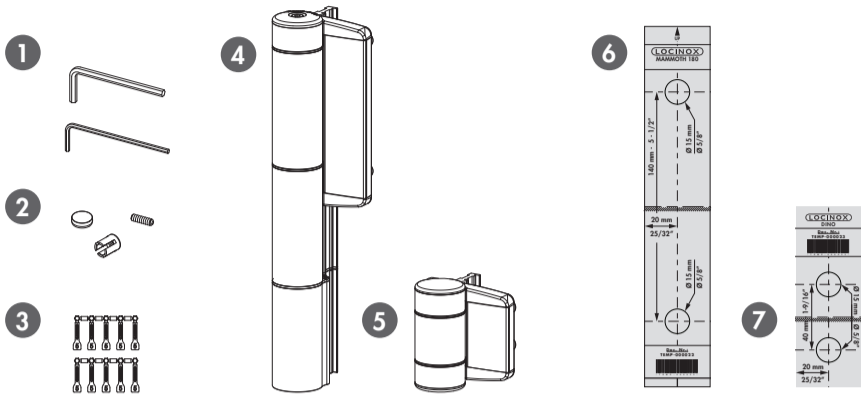


MAMMOTH-180: INSTALLATION INSTRUCTION

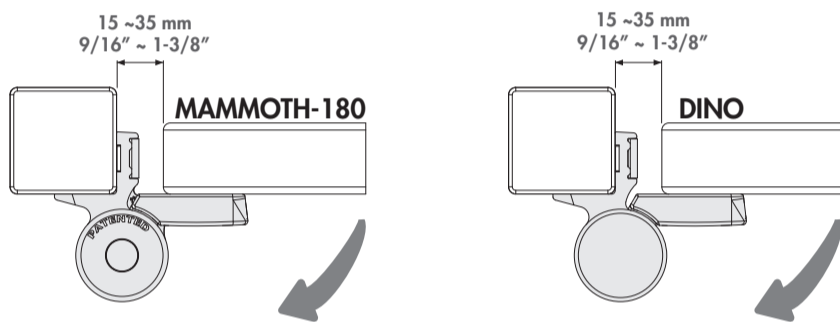
① Package content



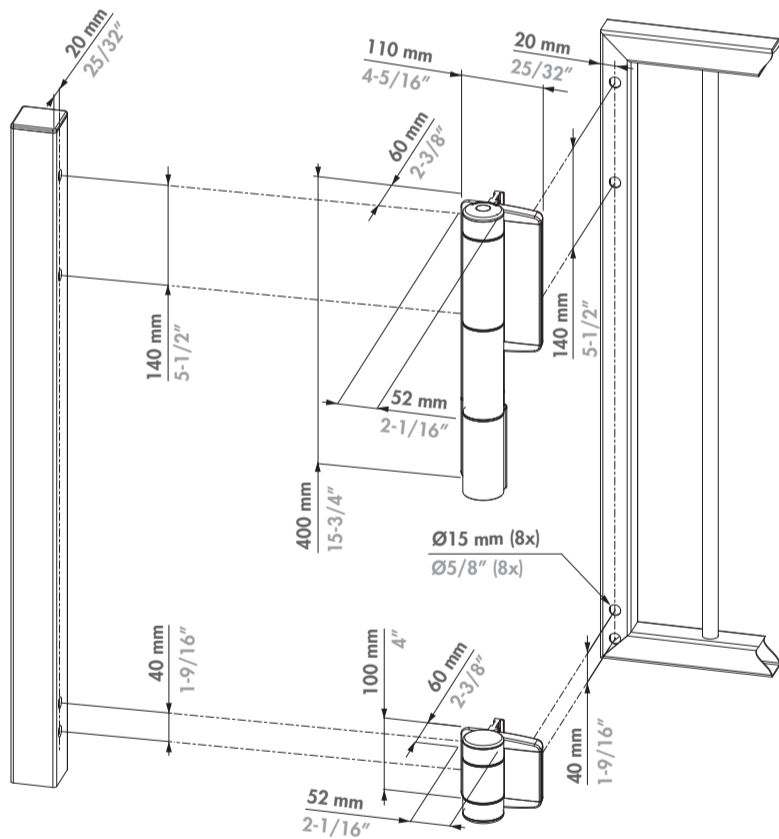
1	Allen keys 5 - 3
2	Cover cap (1x), Setscrew (2x), QF expanders (2x)
3	Hexplugs
4	Mammoth-180 gatecloser
5	Dino
6	Drilling template for Mammoth 180° (2x)
7	Drilling template for Dino (2x)

LEFT OPENING GATE

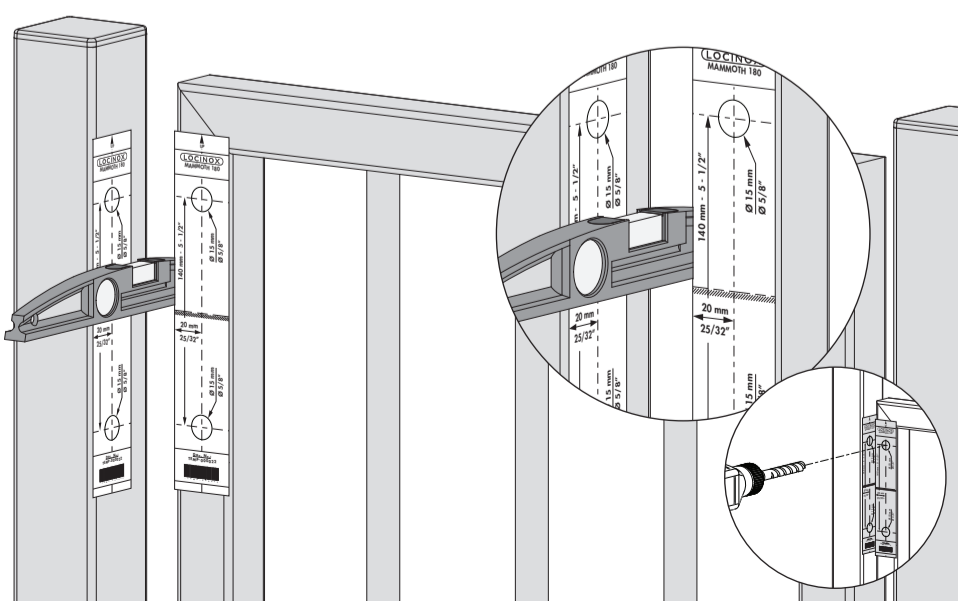
② Mounting Situation



③ Dimensions

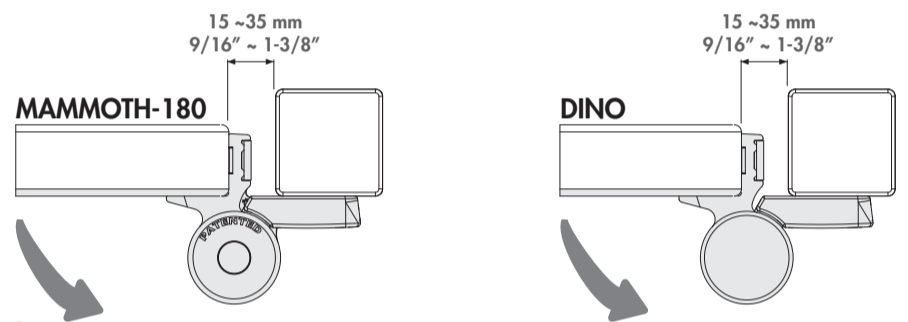


④ Profile and gate preparation for MAMMOTH-180 gatecloser

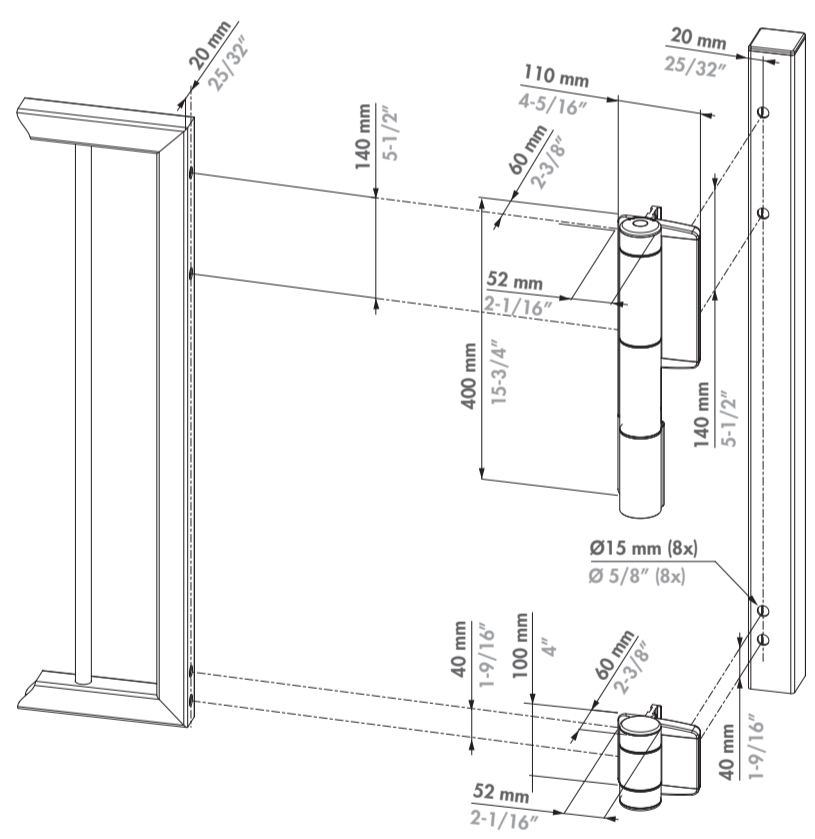


RIGHT OPENING GATE

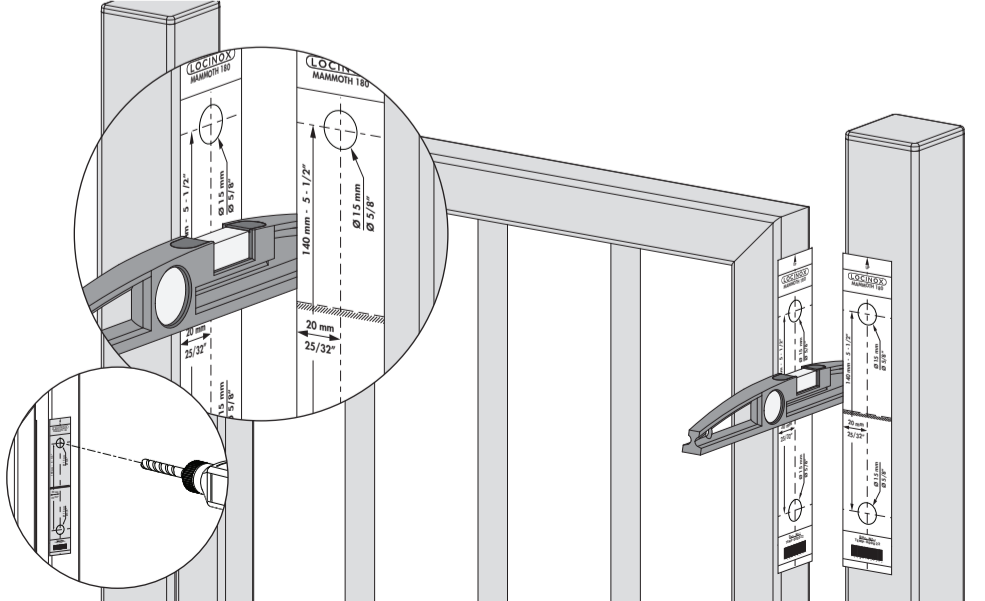
② Mounting Situation



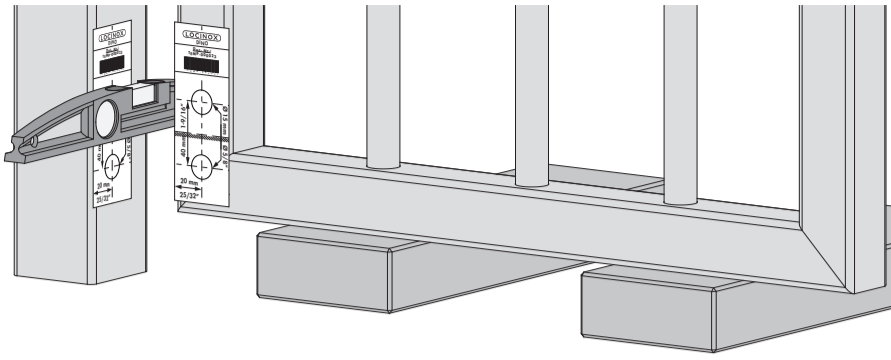
③ Dimensions



④ Profile and gate preparation for MAMMOTH-180 gatecloser

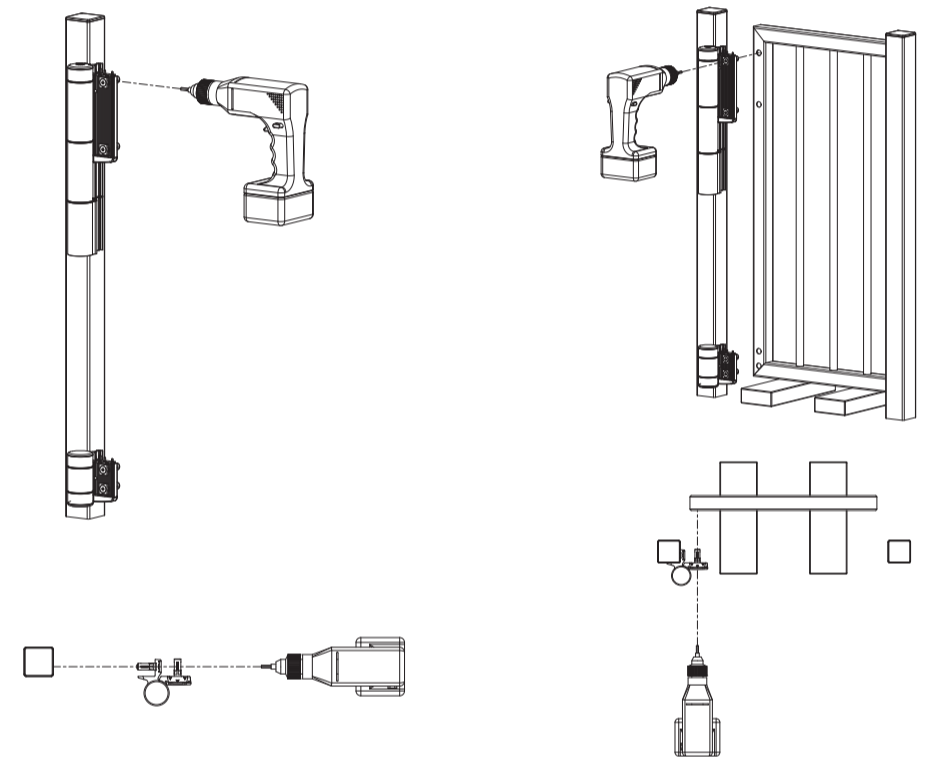
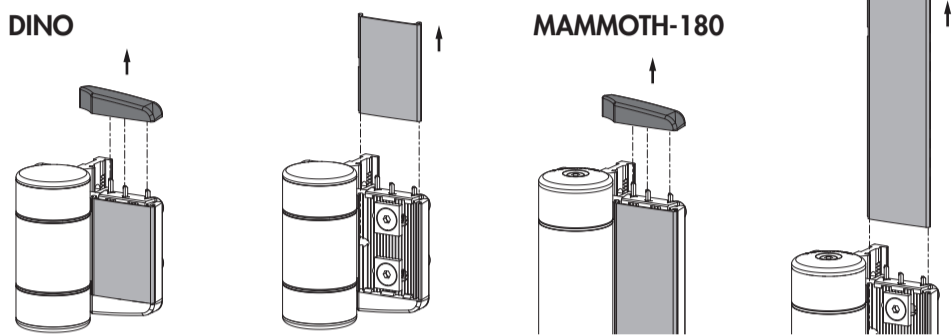


⑤ Profile and gate preparation for DINO hinge

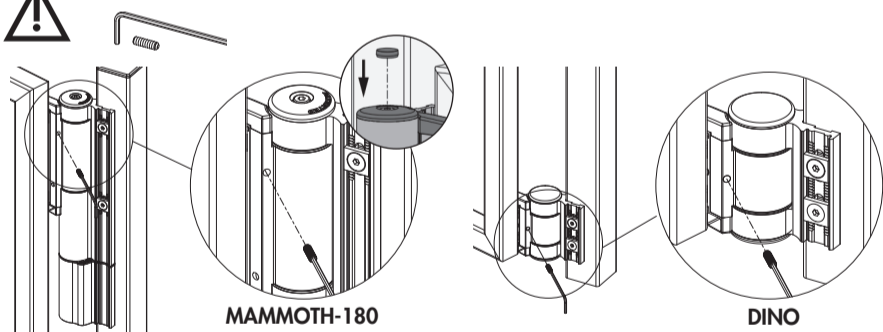


⑥ Mounting MAMMOTH-180 and DINO

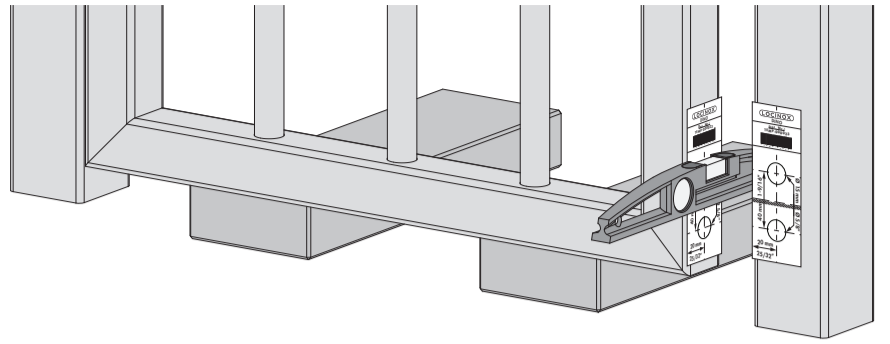
⚠ First remove the Quick-Fix cover caps



⚠ Re-install the cover caps and lock the Quick-Fix cover

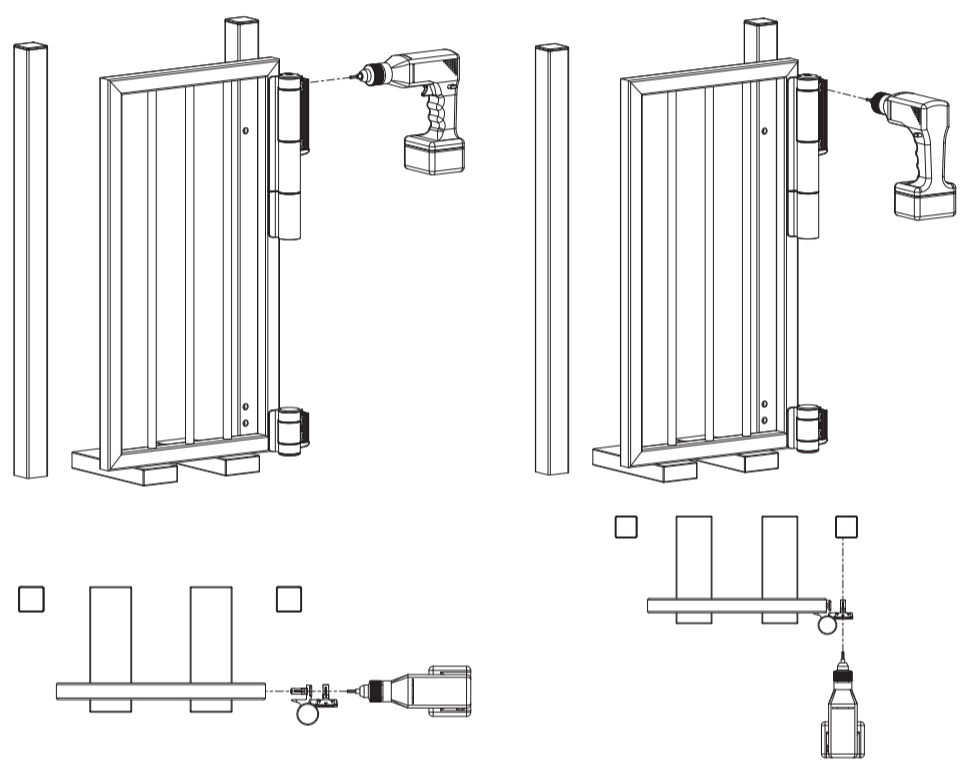
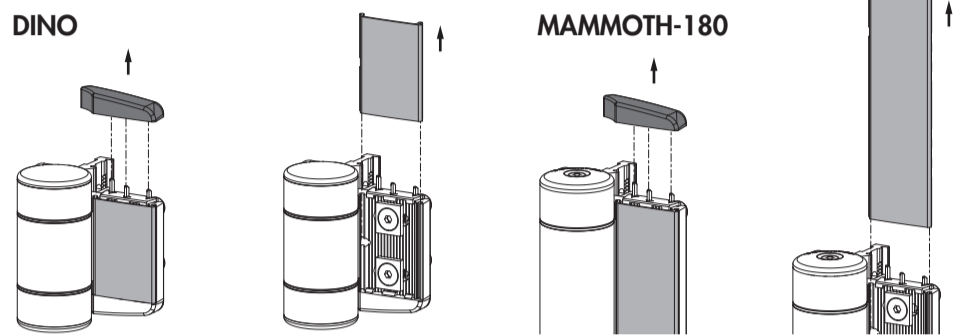


⑤ Profile and gate preparation for DINO hinge

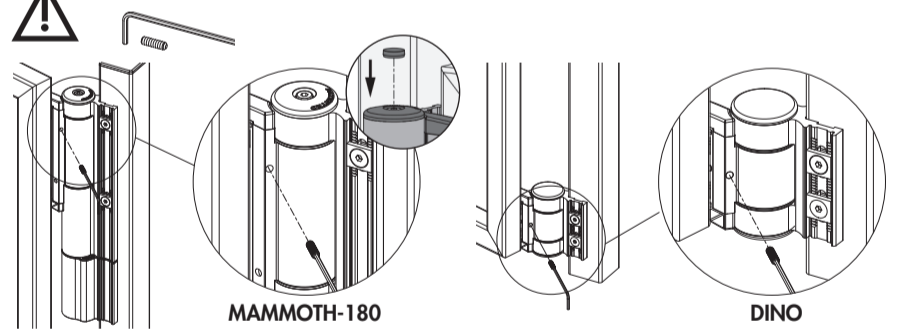


⑥ Mounting MAMMOTH-180 and DINO

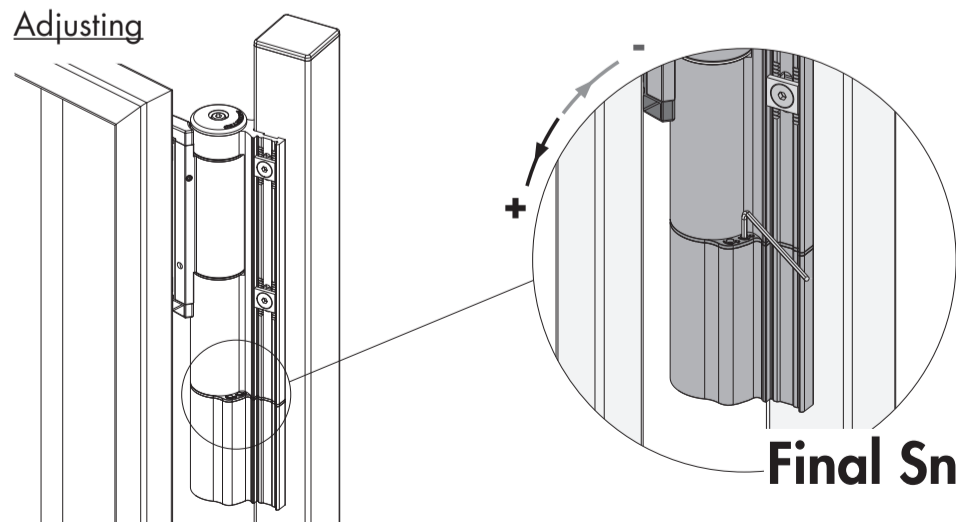
⚠ First remove the Quick-Fix cover caps



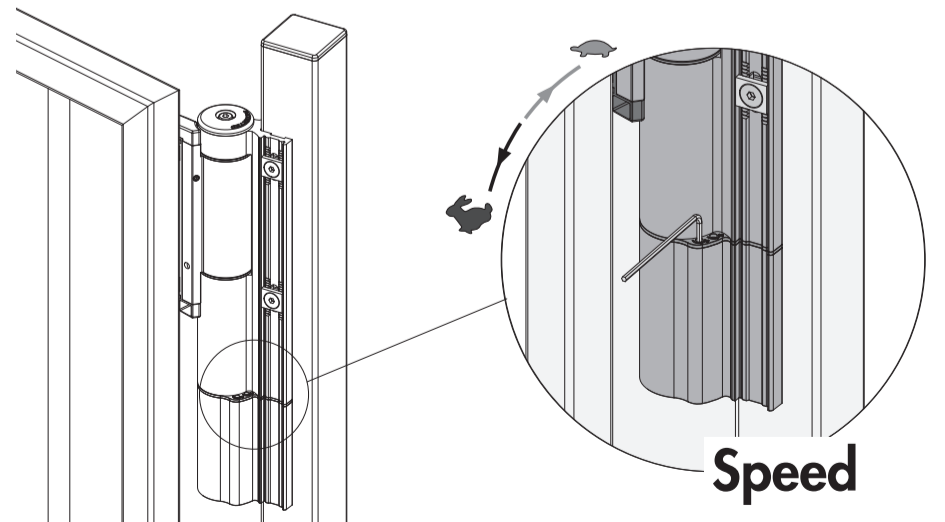
⚠ Re-install the cover caps and lock the Quick-Fix cover



⑥ Adjusting



Final Snap



Speed

LOCINOX®

Let's make better fences together

Doc. Nr.:
MANU-000201

Locinox nv • Mannebeekstraat 21
B-8790 Waregem • Belgium - Europe
Tel. +32 (0)56 77 27 66
E-mail: locinox@locinox.com

Locinox USA LLC • 460-464 Windy Point Drive
Glendale Heights • IL60139
Tel. 877-LOCINOX • Fax. 708-579-0978
E-mail: salesusa@locinox.com



* M A N U - 0 0 0 2 0 1 *